



PRECISION ABRASIVE WATERJET SYSTEMS

Equipment Specifications

SRS



OMAX® Solids Removal System

The Solids Removal System is designed for tough industrial use.

OMAX has developed a Solids Removal System for Models 2626, 2626|xp, 2652, 55100, 80160 and the FABRICATOR (shown above on Model 2652). The garnet is removed from the catcher tank and deposited into a hopper. Water from the hopper flows back to the tank without the use of a pump (gravity return).

Standard Features

- 3/4 yard hopper that includes liner for ease of dumping garnet from hopper.
- System drive, 1/2 hp motor.
- Stainless steel construction on external portion of suction line.
- Suction line flushing feature.
- UL compliance.
- GFCI protection in control box.

Benefits

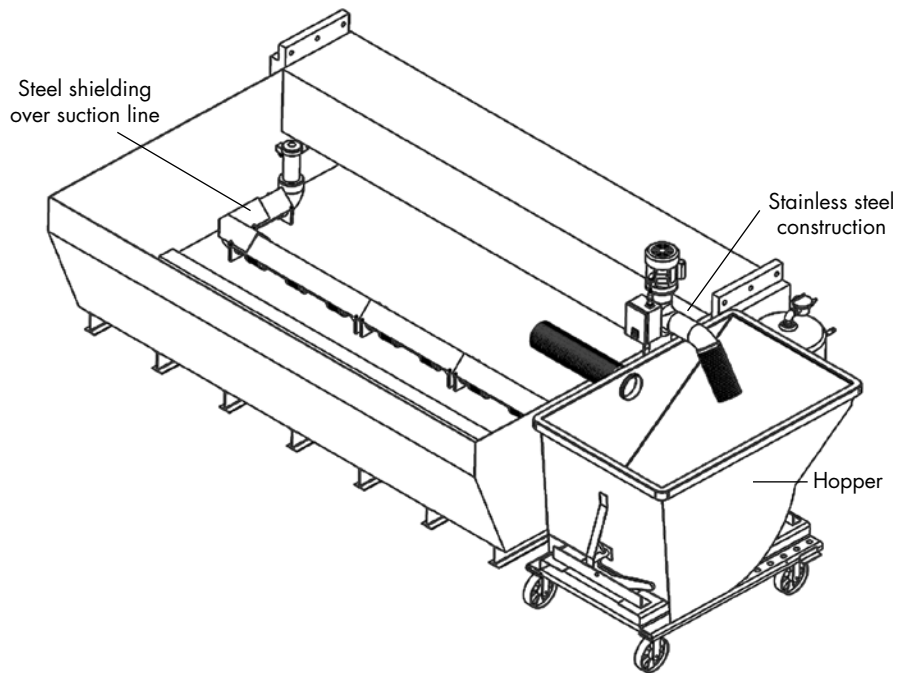
- Garnet removal rate as high as 5.6 lbs/min.
- Easier cleanup eliminates the need to shut down the system to clean the garnet from tank.
- Minimal floor space utilization, 21 sq.ft.
- Standard wall outlet for electrical supply.
- Steel shield protects suction line from being damaged during part cutting.
- Suction line power unit can be removed if material needs to be loaded from the side of tank.
- Operates unattended — shutdown is periodically necessary to remove metal slugs from catcher tank.
- Lower cost than having the tank cleaned out with a catcher tank pump truck.

SRS

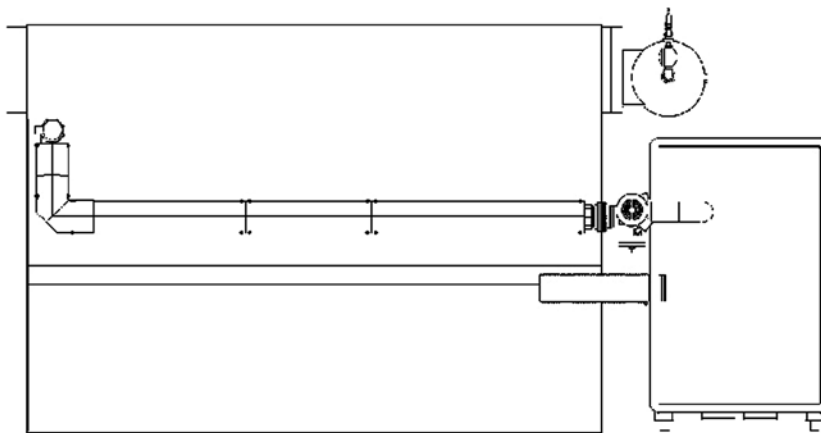
The OMAX Technology Guarantee entitles you, as the original owner, to free OMAX software upgrades for the life of the machine.



OMAX Solids Removal System



OMAX SRS Shown on Model 55100.



Top View of Completed Assembly.

About OMAX

OMAX is the leader in the design and production of computer-controlled abrasive waterjet machining equipment.

JetMachining is ideal for short-run part production, just-in-time manufacturing, tooling, and prototype part development. It requires no tool changes or complex fixturing, so you can reduce setup times by at least 50%.

For more information on what other OMAX products and accessories can do for you, call us today at 800-838-0343 or visit our website at www.omax.com.



OMAX Corporation

21409 72nd Ave South, Kent, WA 98032

253-872-2300 **tel** 253-872-6190 **fax**

1-800-838-0353 **toll-free**

WWW.OMAX.COM **website**

Note: Specifications subject to change without notice.